

Montageanleitung

Mounting instruction

Design-Whiteboard CC + SP mobil
Design-Kreidetafel SP grün, mobil

Design Whiteboard CC + SP mobile
Design Chalkboard SP green, mobile



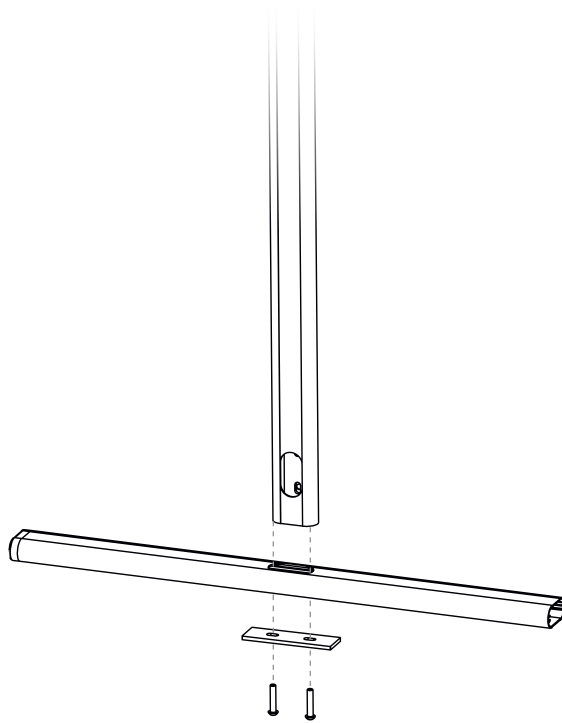
Artikel
article

1240490
1240690
1240890
1240990
1241190

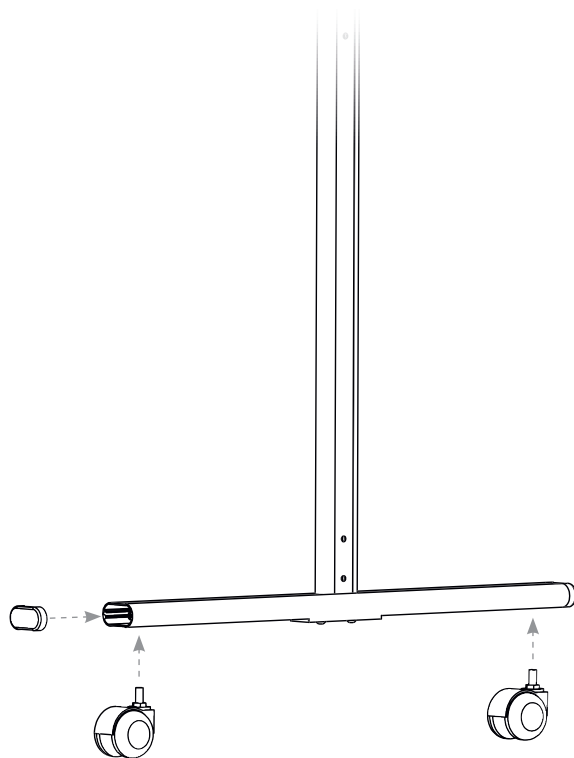
1240489
1240689
1240889
1240989
1241189

1242095
1242395

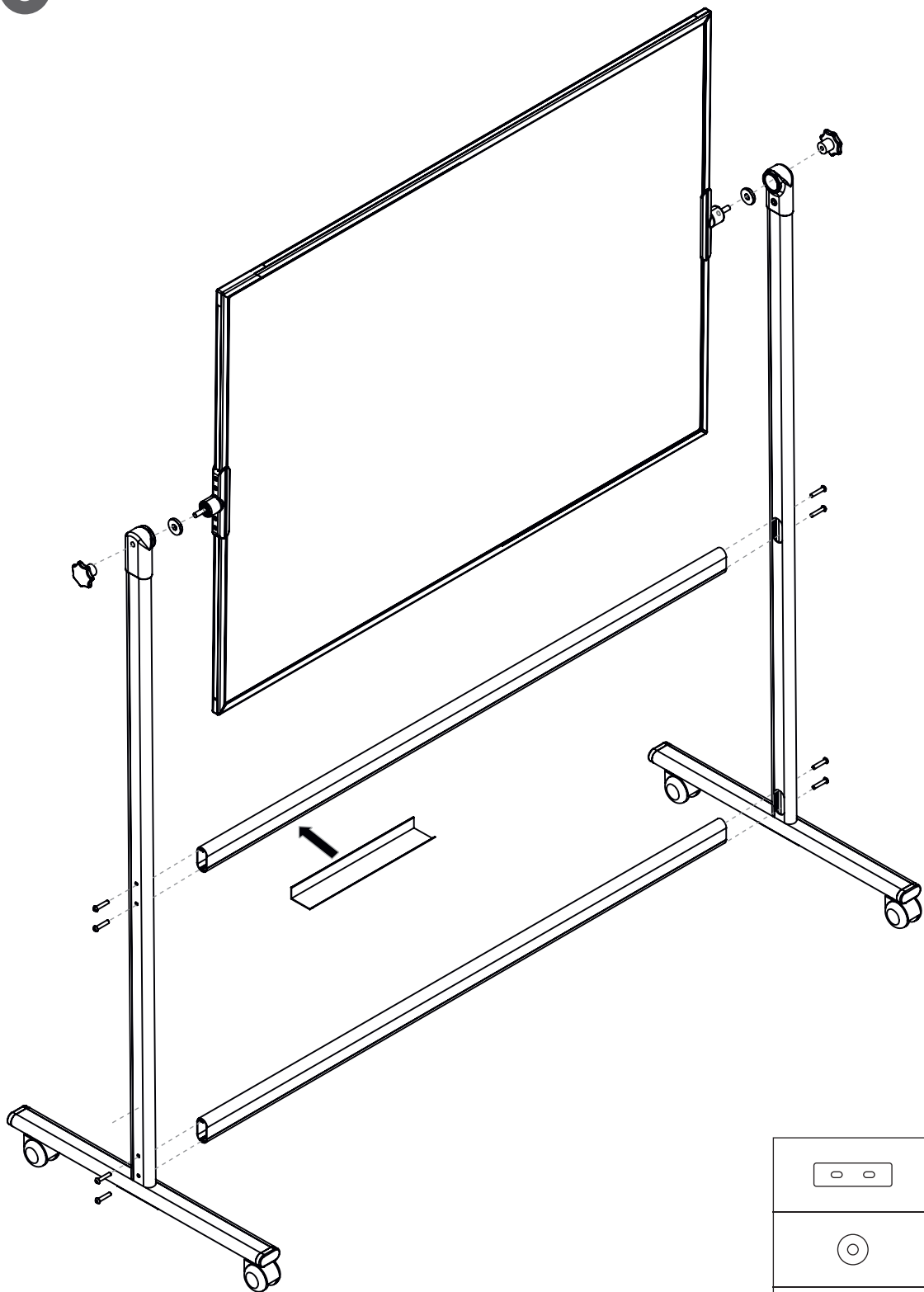
1




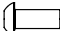


2



3



	2
	2
	2
	12

Whiteboard-Zubehör

Whiteboard accessories



A Whiteboard Zubehör-Set „Large“

Whiteboard accessories set “Large”

B Whiteboard Zubehör-Set „Medium“

Whiteboard accessories set “Medium”



Zum Schutz Ihres Whiteboards empfehlen wir nur original magnetoplan®-Zubehör zu verwenden!

To protect your whiteboard, we recommend using only original magnetoplan® accessories!

Artikel | article

Art.-Nr.

A Whiteboard Zubehör-Set „Large“

12299

4 x Board- und Flipchartmarker PRO+ für Flipchartpapier, Design-Glas- und Whiteboards, in 4 Farben sortiert. 1 x Pumpspraydose Tafelreiniger, 250 ml. 1 x Universalreiniger, 100 g Dose. 10 x Haltemagnete, discifix standard, Ø 30 x 8 mm. 1 x magnetoplan® Löscher, magnethaftend. 1 x Packung Löschpapier, 100 Blatt

Whiteboard accessories set “Large”

4 x PRO+ board and flipchart markers for flipchart paper, design glass-boards and whiteboards, in an assortment of 4 colours. 1 x pump spray can of board cleaner, 250 ml. 1 x universal cleaner, 100 g can. 10 x holding magnets, discifix standard, diameter 30 x 8 mm. 1 x magnetoplan® blotter, magnetic. 1 x pack of blotting paper, 100 sheets

Artikel | article

Art.-Nr.

B Whiteboard Zubehör-Set „Medium“

12299N

4 x Board- und Flipchartmarker PRO+ für Flipchartpapier, Design-Glas- und Whiteboards, in 4 Farben sortiert. 1 x Pumpspraydose Tafelreiniger, 250 ml. 4 x Haltemagnete, discifix standard, Ø 30 x 8 mm. 1 x magnetoplan® Löscher, magnethaftend

Whiteboard accessories set “Medium”

4 x PRO+ board and flipchart markers for flipchart paper, design glass-boards and whiteboards, in an assortment of 4 colours. 1 x pump spray can of board cleaner, 250 ml. 4 x holding magnets, discifix standard, diameter 30 x 8 mm. 1 x magnetoplan® blotter, magnetic